

OPERATOR'S MANUAL



Model 54 Dereeler – Bench Mount

PRODUCTION WIRE PROCESSING EQUIPMENT

Website: www.carpentermfg.com • e-mail: wire@carpentermfg.com

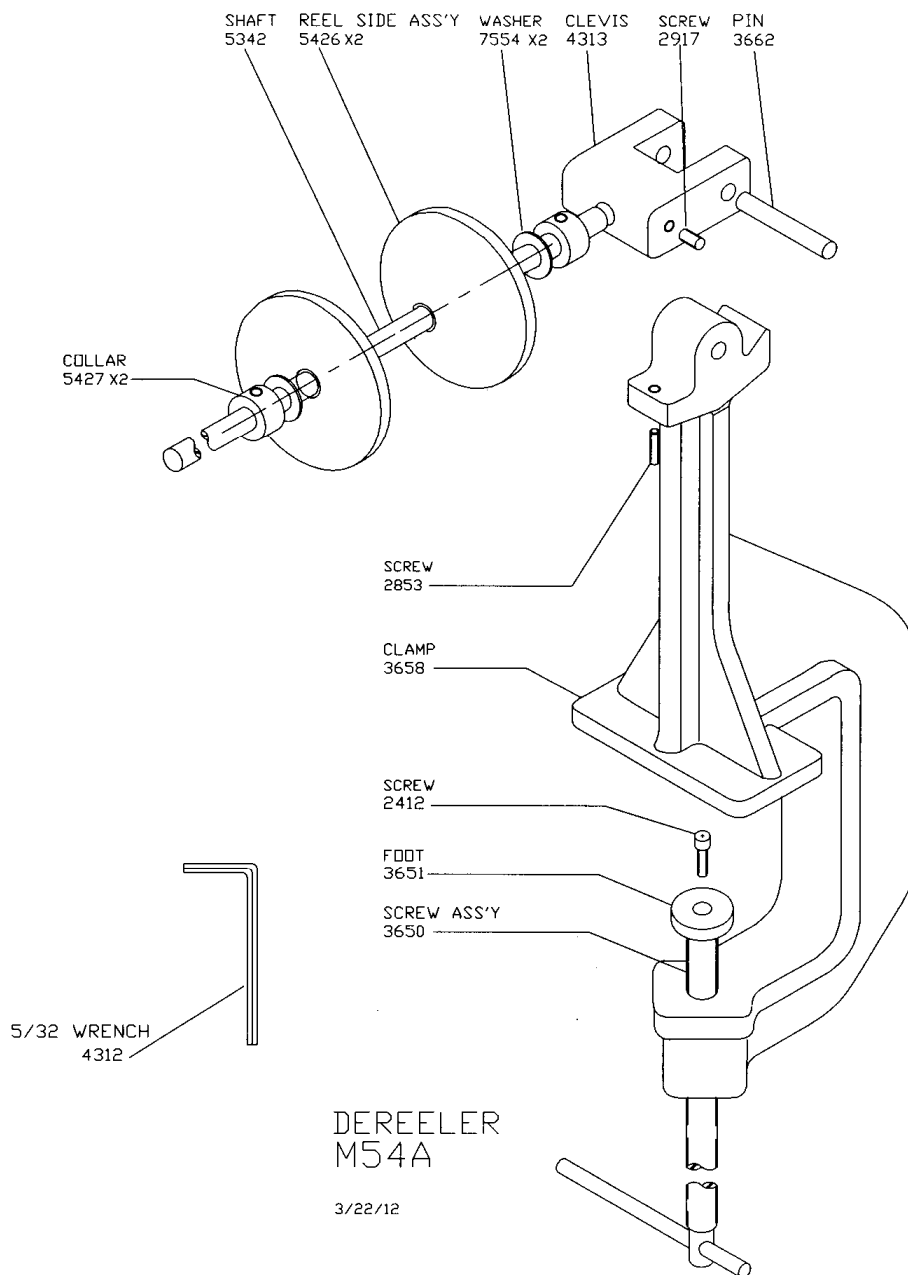
OPERATING INSTRUCTIONS **MODEL 54A DEREELEER**

APPLICATION

The Model 54A Dereeler is designed to hold your spool of material before entering your cutting and/or measure, cut and strip machine.

CAPABILITES

Spool diameter 14"; Spool width 12", Spool weight 40 lbs., (All maximum).



PRODUCTION WIRE PROCESSING EQUIPMENT



110 Fairgrounds Drive • P.O. Box 188 • Manlius, NY 13104-0188 USA • 315.682.9176 • FAX: 315.682.9160

WARRANTY

Carpenter Mfg. Co., Inc. manufactures its products to be free from defects in materials and workmanship. Should any defect occur within 1 year after shipment, Carpenter Mfg. Co., Inc. will at its option, exchange or repair the defective device.

Repairs or adjustments to equipment under warranty can be performed at our factory or at the customer location, at the option of Carpenter Mfg. Co., Inc. In most cases a 1-2 day turn around time will be necessary to repair equipment at our facility. When equipment is returned to our factory for repair or replacement, freight charges will be borne by the customer. Repaired or replaced equipment will be returned at Carpenter's expense via UPS ground service. If alternate shipping is requested by the customer, the difference in shipping charges will be billed to the customer.

This is a limited warranty and is in lieu of all other representations and expressed and implied warranties (including the implied warranties of merchantability and fitness for use.) Under no circumstances shall Carpenter Mfg. Co., Inc. be liable for any incidental or consequential property damages or losses subsequent to misuse or improper maintenance of this equipment.

Not covered by this warranty are:

- Consumable parts (blades, belts, guides, springs, inserts, stripping wheels, etc.).
- Cosmetic problems (nicks, scratches, etc.).
- Damages caused by any repairs or modifications by unauthorized personnel.
- Abuse.
- Damage caused by shipping.
- Damage caused by environmental and/or atmospheric conditions.
- Damage caused by the use of contaminated compressed air.

PRODUCTION WIRE PROCESSING EQUIPMENT

Visit our website at: www.carpentermfg.com • e-mail address: wire@carpentermfg.com