



110 Fairgrounds Drive • P.O. Box 188 • Manlius, NY 13104-0188 USA • 315.682.9176 • FAX: 315.682.9160

# OPERATOR'S MANUAL



## Model 95B Manual Flat Cable Cutter

PRODUCTION WIRE PROCESSING EQUIPMENT

## OPERATING INSTRUCTIONS MODEL 95B FLAT CABLE CUTTER

### APPLICATION

The Model 95B is designed to provide a clean square cut on flat or round conductor flat cable. It can cut thickness up to 3/16" (depending on material being cut) and widths up to 3 1/2".

### SET UP

Position **#3452** Guide so the cable will be lined up with the center of the blade.

Position **#3453** Platform to align with **#3452** Guide.

Set **#2981** Wire Stop Guide to desired cut length.

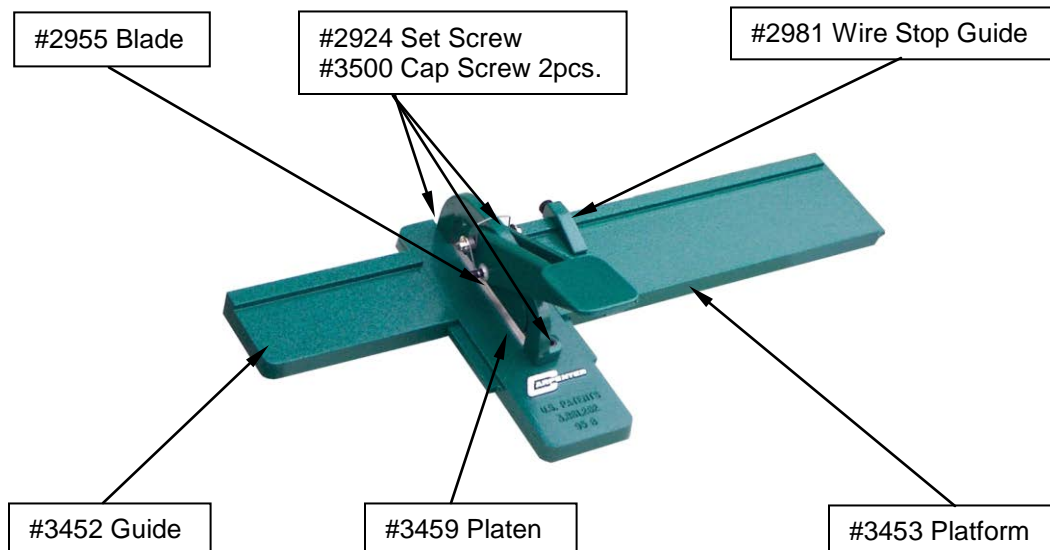
### OPERATION

Flat cable is fed from left to right. Position flat cable up to wire stop and press lever.

### ADJUSTMENT

After prolonged use the **#3459** Platen may become grooved affecting the ease of cut. To turn platen to a new smooth surface, remove **#2924** Set Screw and 2pcs. **#3500** Cap Screw. Remove cutting yoke assembly, turn Platen and re-install cutting yoke and all screws. This may be done until all sides are used.

For measured lengths over 12", **#3453** Platform Extensions are available in 12" increments.



PRODUCTION WIRE PROCESSING EQUIPMENT



110 Fairgrounds Drive • P.O. Box 188 • Manlius, NY 13104-0188 USA • 315.682.9176 • FAX: 315.682.9160

## WARRANTY

Carpenter Mfg. Co., Inc. manufactures its products to be free from defects in materials and workmanship. Should any defect occur within 1 year after shipment, Carpenter Mfg. Co., Inc. will at its option, exchange or repair the defective device.

Repairs or adjustments to equipment under warranty can be performed at our factory or at the customer location, at the option of Carpenter Mfg. Co., Inc. In most cases a 1-2 day turn around time will be necessary to repair equipment at our facility. When equipment is returned to our factory for repair or replacement, freight charges will be borne by the customer. Repaired or replaced equipment will be returned at Carpenter's expense via U.P.S. ground service. If alternate shipping is requested by the customer, the difference in shipping charges will be billed to the customer.

This is a limited warranty and is in lieu of all other representations and expressed and implied warranties (including the implied warranties of merchantability and fitness for use.) Under no circumstances shall Carpenter Mfg. Co., Inc. be liable for any incidental or consequential property damages or losses subsequent to misuse or improper maintenance of this equipment.

### **Not covered by this warranty are:**

- Consumable parts (blades, belts, guides, springs, inserts, stripping wheels, etc.).
- Cosmetic problems (nicks, scratches, etc.).
- Damages caused by any repairs or modifications by unauthorized personnel.
- Abuse.
- Damage caused by shipping.
- Damage caused by environmental and/or atmospheric conditions.
- Damage caused by the use of contaminated compressed air.

PRODUCTION WIRE PROCESSING EQUIPMENT