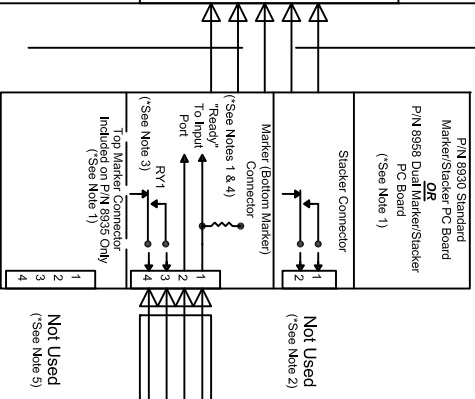
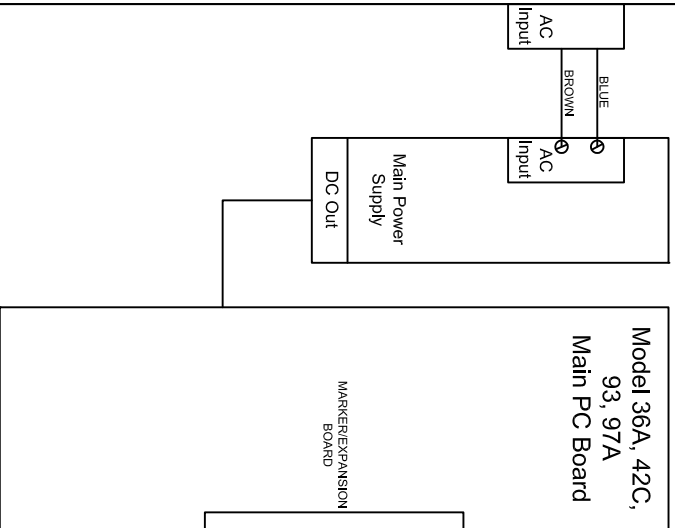


Carpenter Model 36A, 42C, 93, 97A

Universal Wire Marker Interface Information



- Wire Marker Interface Notes**
- 1) When interfacing a Wire Marker accessory to a Carpenter machine, the type of "Ready" signal output from the Wire Marker to the Carpenter machine will determine which optional Marker/Stacker Interface Board is used. Please have this information ready before contacting the factory.
 - 2) When interfacing only a Wire Marker accessory, the Stackler output is available for future addition of a Wire Marker accessory. Contact the factory for additional information.
 - 3) "Marker" output is a N.O. "Dry" Relay Contact, rated at 8A, 250VAC/30VDC
 - 4) The Wire Marker interface requires a "Ready" signal return from the Wire Marker accessory to the Carpenter machine the Ready condition.
 - 5) When a P/N 8935 Marker/Stacker Interface board is used for a normal (single pin) head Wire Marker installation, the "Top Marker" I/O port is not used.

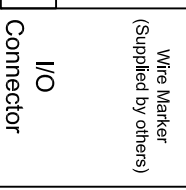
Not Used
(See Note 2)

Not Used
(See Note 5)



Mating Plug AMP
P/N 206434-1

External Interface
Cable - Consult
factory for options
(Also see Note 4)



Model 36A, 42C, 93, 97A Standard Components

Model 36A, 42C, 93, 97A Optional
(Internal) Components required for
interfacing a Wire Marker