



110 Fairgrounds Drive • P.O. Box 188 • Manlius, NY 13104-0188 USA • 315.682.9176 • FAX: 315.682.9160

OPERATOR'S MANUAL



Model **58C** Prefeed / Dereeler

PRODUCTION WIRE PROCESSING EQUIPMENT

Website: www.carpentermfg.com • e-mail: wire@carpentermfg.com

CARPENTER MODEL 58C PREFEED / DEREELEER

INTRODUCTION

Thank you for choosing Carpenter Mfg. Co. Inc. Wire Processing Equipment. For over 50 years Carpenter has been a leader in Wire Processing Technology and Service. Our desire has always been to bring you reliable products. We look forward to a long healthy relationship with you and our company.

The Model 58C can process a wide range of wires as referenced on the following page.

These processing specifications are based upon the most commonly manufactured wires. Special applications may arise with wires that are within the specification limits of the machine but are very difficult or unsuccessful to process. Likewise, wires that exceed the specified limits of the machine can sometimes be processed. Because there are many variables involved in Wire Processing we strongly recommend a FREE Wire Evaluation at our factory followed by a demonstration from a Carpenter representative to insure the ultimate success of your Wire Processing Application.

This operating manual explains how to operate the Model 58C. To ensure the best performance of your machine, read this manual carefully until you familiarize yourself thoroughly with its operation and features. After you have read through the manual, keep it available for reference.

Use this manual as a quick and handy reference tool for clarifying any questions that may arise. If you have any questions about this machine or service please let us know.

Our phone number is 315.682.9176, fax number 315.682.9160
Website: www.carpentermfg.com, E-mail: wire@carpentermfg.com

Carefully unpack the Carpenter Model 58C.
We recommend that you keep the original box and packaging as it will protect the machine for future transportation if necessary.

IMPORTANT NOTICE

The products in this shipment left our facility in good working condition.

Their safe delivery is the responsibility of the carrier that delivered this shipment to you.

Our stated shipping terms are F.O.B. our facility at 110 Fairgrounds Drive, Manlius, NY 13104.

According to applicable laws, the responsibility for this shipment was transferred to you as soon as the carrier accepted the goods at our warehouse.

If concealed damage is discovered after unpacking this shipment, you must submit a damaged freight claim with the carrier.

Carpenter Mfg. Co., Inc. cannot submit your claim for you.

In order for you to collect for concealed damage, the carrier must be notified within 5 days of the date you receive this shipment.

You must leave the damaged items and packing material as is (i.e. return all merchandise and all packing material to the shipping container) until the claim has been inspected by the carrier.

Also, the carrier will not accept a claim if the goods have been moved from the point of the carriers delivery to another street address.

If you have any questions or problems, please give us a call at 315.682.9176.

CAUTION

****IMPORTANT****

This equipment comes equipped with a
LEXAN Safety Guard.

Do not attempt to defeat the function
or purpose of the Safety Guard.

Serious injury to the operators' eyes, fingers or other body
parts may result from attempts to operate this equipment
without the Safety Guard installed.

CARPENTER MODEL 58C PREFEED / DEREELER

****IMPORTANT****

PLEASE READ ENTIRE INSTRUCTIONS BEFORE OPERATING MACHINE

APPLICATION

The Model 58C Prefeed/Dereeler is designed to assist in unwinding spools of material before entering a cutting machine or a measure, cut and stripping machine. The Model 58C Prefeed allows the cut and/or stripping machine to operate without the strain of pulling material from the dead weight spools.

CAPABILITIES

PREFEED: Round cable or tubing up to .437"(11.1mm), Flat cable up to .520"(13.2mm)

DEREELER: Spool diameter 24"; Spool length 14"; Spool weight 100 lbs.(All maximums)

SAFETY GUARDING

THIS EQUIPMENT COMES EQUIPPED WITH A LEXAN SAFETY GUARD. DO NOT ATTEMPT TO DEFEAT THE FUNCTION OR PURPOSE OF THE SAFETY GUARD. SERIOUS INJURY TO THE OPERATORS' EYES, FINGERS OR OTHER BODY PARTS MAY RESULT FROM ATTEMPTS TO OPERATE THIS EQUIPMENT WITHOUT THE SAFETY GUARD INSTALLED.

MACHINE SET-UP

For shipping purposes the Dereeler Frame and Dereeler Axel Assembly have been disassembled from the machine cabinet. Locate the 4 larger diameter Button Head Screws with Washers, on the left side of the Prefeed Cabinet. Remove these screws and line up the Dereeler Frame with the holes on the cabinet. Replace the washers and screws and tighten into place, well. Insert the Dereeler Axel Assembly into the hole on the Dereeler Frame and lock into place with the Locking Pin Assembly.

Also, for shipping purposes the Accumulator Pulleys have been tied together. While supporting the bottom set of pulleys, carefully untie the pulleys and gently guide them down to the lowest position.

OPERATION

1. Install your spool of material onto the Dereeler Axel. Remove the outer Collar and Cone from the Dereeler Axel and slide your material spool onto the rod. Replace cone and collar, tighten into place against material spool.
2. To load the machine, manually pull approximately 10 feet of material from the spool. Open the Upper and Lower Cams that cover the Accumulator Pulleys. Thread the material around the Accumulator Pulleys as per Option 1, 2 or 3 (refer to Pages 6 & 7). Close the Upper and Lower Cams to secure material in place. With the Accumulator Pulleys threaded and cams closed, remove the Feed Belt Guard. Open the Feed Belts wide enough so the material can be placed between them. Adjust the Feed Belts closed until both belts firmly contact the material. Replace the Feed Belt Guard.
3. Plug the AC Power Cord into a proper electrical outlet. Turn the toggle switch, located on the top of the cabinet, to the ON position; this will illuminate the light. Feed the end of your material into your Processing Machine, following the loading instructions for that equipment. Once your processing machine has been loaded adjust the Pulley Extension Arm up or down on the Model 58C until the material feeds level into the processing machine.

CARPENTER MODEL 58C PREFEED / DEREELEER

cont.

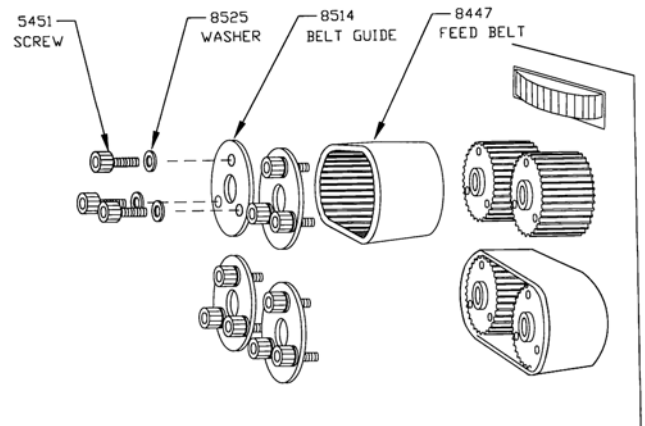
4. The Model 58C is supplied with a 2 1/2# Weight, attached to the lower Accumulator Pulleys. This weight is designed to aid in processing solid conductor, ridged multi-conductor or large AWG stranded wire. Due to the rigid construction of these types of wire it may be necessary to use only one set of the Accumulator Pulleys, thus threading your wire around only once (refer to Option 3, Page 7). To process smaller AWG wire such as 20 and less it may be necessary to remove the Weight to avoid stretching the wire during dereeling. To remove the Weight, loosen the Cap Screw and remove the Weight Cap. Remove the Weight and reinstall the Weight Cap and Cap Screw, tightening well.
5. Adjust belt pressure with the Feed Belt Adjustment Knob. The adjustments read **MORE** and **LESS**. The goal, for this adjustment, is to achieve enough pressure so the material doesn't slip. Too much pressure will result in premature belt wear.
6. The Speed Control Knob is located on the top of the machine. The goal, for this adjustment, is to achieve an even flow or movement of the lower Accumulator Pulleys in an up and down motion which is consistent with the speed of your cut and/or stripping machine.

CIRCUIT BREAKER

In the event that the Circuit Breaker, located on the left side of the Prefeed Cabinet, "pops" out you must wait 10-15 minutes before re-setting. To reset, simply push the white button back into the housing.

BELT CHANGE

1. Turn machine off and unplug.
2. Separate belts via the Feed Belt Adjustment Knob.
3. Remove 12 pieces #5451 Cap Screws with Washers and 4 pieces #8514 Belt Guides. Then remove #8447 Feed Belts. Reverse procedure to reinstall.

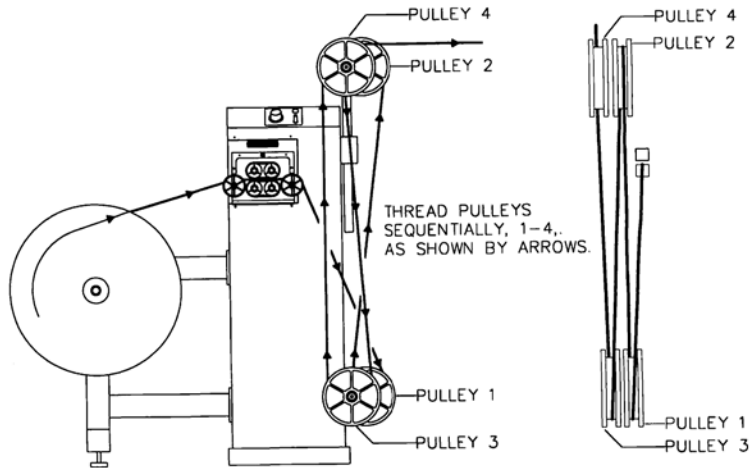


CARPENTER MODEL 58C PREFEED / DEREELEER

cont.

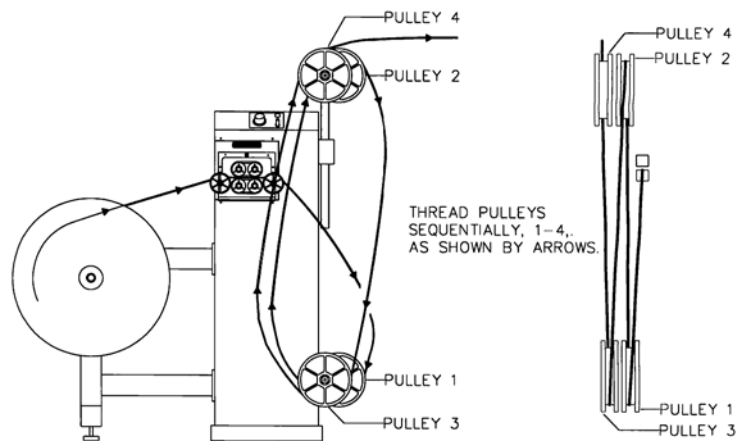
OPTION 1

ACCUMULATION ROUTING FOR
NON-RIDGED WIRE AND TUBING.



OPTION 2

ACCUMULATION ROUTING FOR
SEMI-RIDGED WIRE AND TUBING.

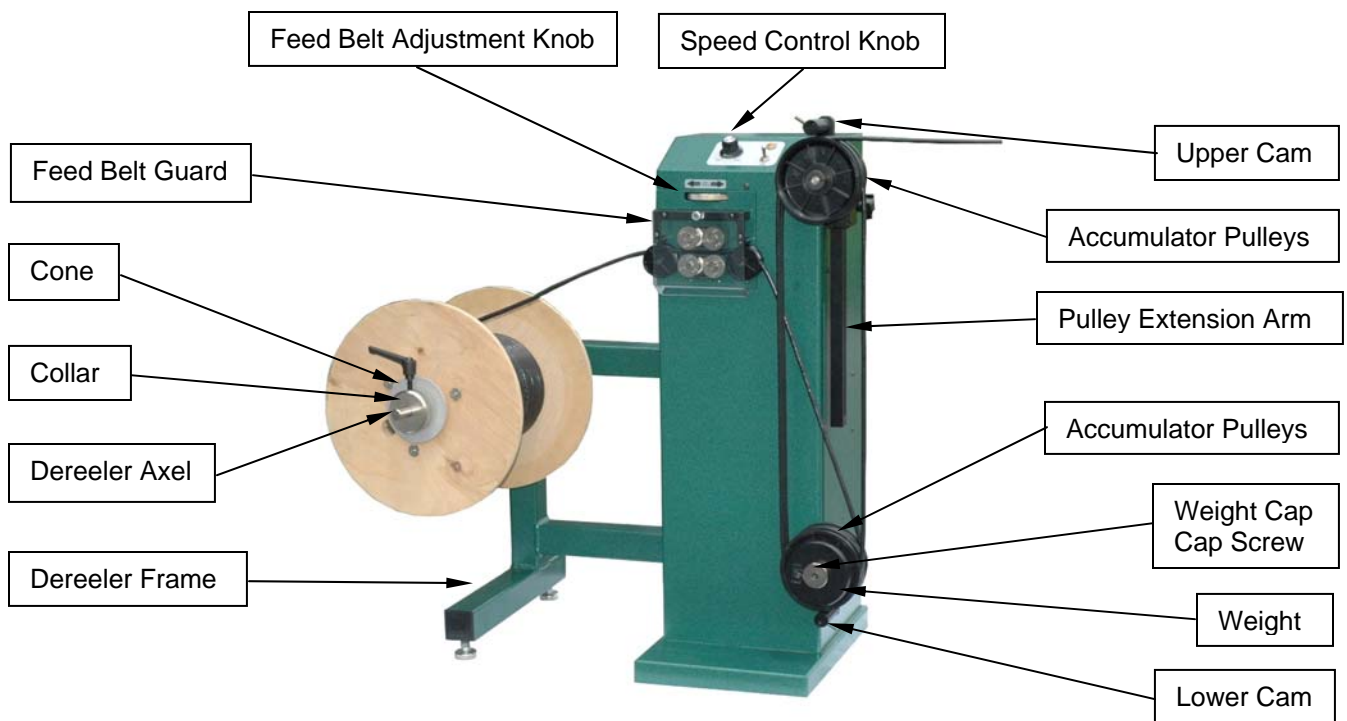
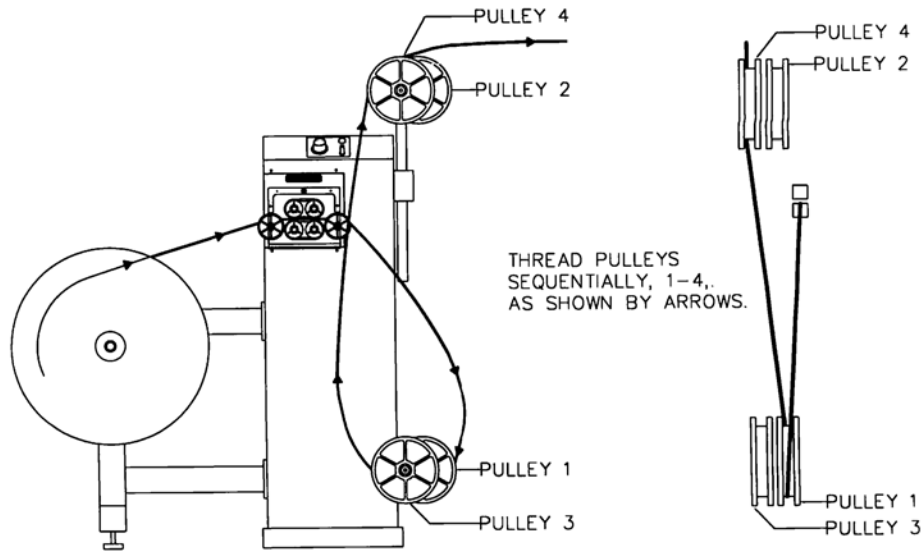


CARPENTER MODEL 58C PREFEED / DEREELER

cont.

OPTION 3

ACCUMULATION ROUTING FOR
SEMI-RIDGED WIRE AND TUBING.



CARPENTER MODEL 58C PREFEED / DEREELER

WARRANTY

Carpenter Mfg. Co., Inc. manufactures its products to be free from defects in materials and workmanship. Should any defect occur within 1 year after shipment, Carpenter Mfg. Co., Inc. will at its option, exchange or repair the defective device.

Repairs or adjustments to equipment under warranty can be performed at our factory or at the customer location, at the option of Carpenter Mfg. Co., Inc. In most cases a 1-2 day turn around time will be necessary to repair equipment at our facility. When equipment is returned to our factory for repair or replacement, freight charges will be borne by the customer. Repaired or replaced equipment will be returned at Carpenter's expense via U.P.S. ground service. If alternate shipping is requested by the customer, the difference in shipping charges will be billed to the customer.

This is a limited warranty and is in lieu of all other representations and expressed and implied warranties (including the implied warranties of merchantability and fitness for use.) Under no circumstances shall Carpenter Mfg. Co., Inc. be liable for any incidental or consequential property damages or losses subsequent to misuse or improper maintenance of this equipment.

Not covered by this warranty are:

- Consumable parts (blades, belts, guides, springs, inserts, stripping wheels, etc.).
- Cosmetic problems (nicks, scratches, etc.).
- Damages caused by any repairs or modifications by unauthorized personnel.
- Abuse.
- Damage caused by shipping.
- Damage caused by environmental and/or atmospheric conditions.
- Damage caused by the use of contaminated compressed air.